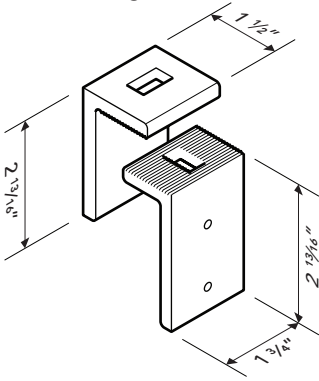




Handrail Mounting Brackets

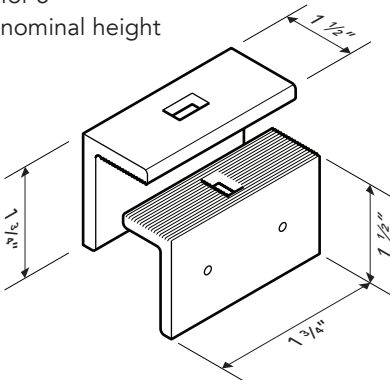
HR-203

for 7"
nominal height



HR-303

for 5"
nominal height



Parts included:



Handrail brackets

meet or exceed OSHA and ADA standards.

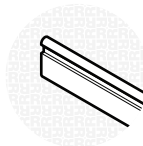


#14 × 1¼" wood screws for handrail

#14 × 2½" wood screws to wall

¼" -20 × 1" carriage bolt and elastic stop nut

Additionally, you will need:



Handrail

Measuring tape
Pencil or painter's tape
Level

Stud finder
Drill driver + bit
Ratchet set

Acceptable mounting applications:

Blocking
Studs
Double studs
Metal studs

For other mounting surfaces, contact your Rakks representative.

Handrail Mounting Brackets

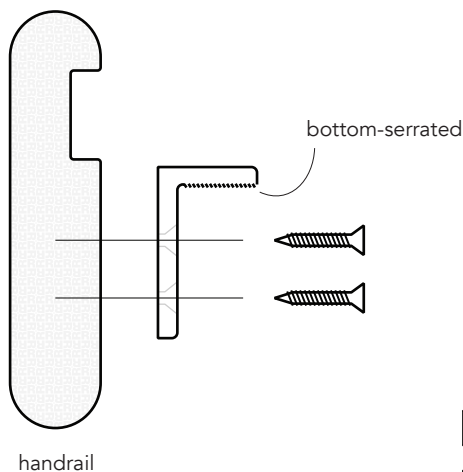
1

Attach the handrail brackets

Mark out the **bracket** locations on the **wall** and **handrail**, no more than 36" apart. Brackets should be plumb and vertical.

Determine the location and depth of the **handrail** pilot holes according to the manufacturer's instructions.

Attach the **bottom-serrated bracket** to the wall-facing side of the handrail.

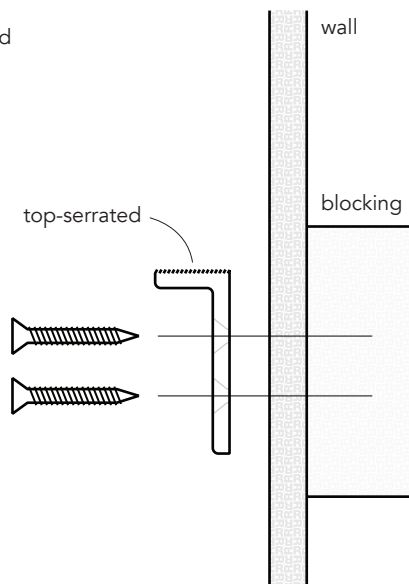


2

Install the wall brackets

Drill pilot holes into the wall stud or **blocking**. Sub-surface blocking is recommended.

Attach the **top-serrated bracket** to the wall.



3

Secure the handrail to the wall brackets

Insert the **carriage bolt** through both pieces of the handrail and use a ratchet from below to tighten the lock nut.

The matching serrated surfaces lock together to prevent slippage.

The slots in the perpendicular axes allow adjustment of up to 1/2" to compensate for wall irregularities.

