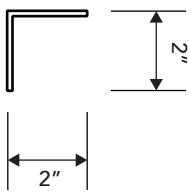
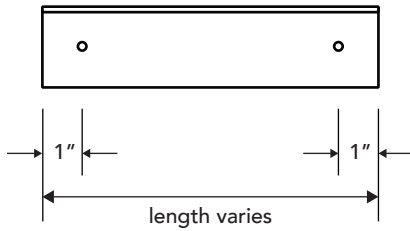
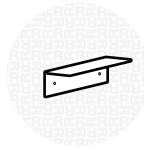


Cleat Stock

EHCS



Parts included:



EH-CS Aluminum Angle Cleat Stock
matches the length of your EH Counter Support brackets

Additionally, you will need:



Mounting screws
up to ¼"

Measuring tape
Pencil or painter's tape
Level
Stud finder
Drill driver + bit

Acceptable mounting applications:

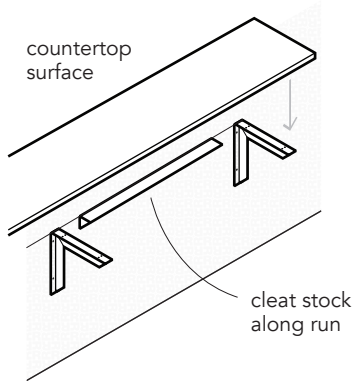
Blocking Studs **Double studs**
Studs **Metal studs**

For other mounting surfaces, contact your Rakks representative.

1

Locate the **cleat stock** where **runs** or **ends** require extra support.

The vertical leg is pre-drilled with 5/16" diameter holes to mount to the wall.



2

Determine the center of the wall stud if blocking is not available. Use a level to ensure that the top edge of the cleat stock is on the same level plane as the bracket.

Mark and drill pilot holes.

Tip: cleat stock can be used to correct deflection in an installed counter or shelf.

