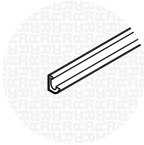
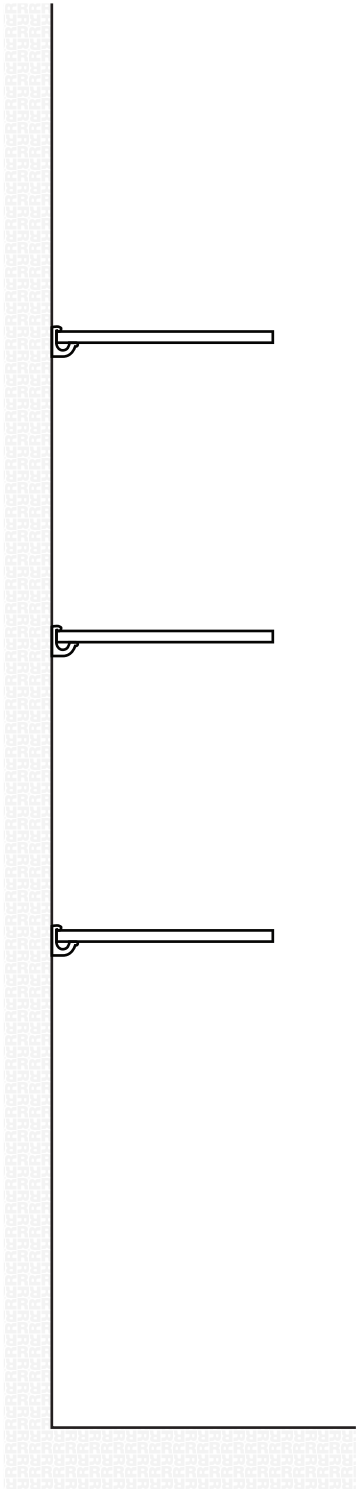




Ethereal Floating Shelf

Parts included for installation of fixed floating shelf:



Ethereal Bracket
(Suspended Shelf Bracket)



#6 x 1 1/4" Phillips head screws



#8 x 2" Phillips head screws



Rakks Wood Shelf up to 12" (optional)

Additionally, you will need:



Measuring tape
Pencil or painter's tape
Level



Stud finder
Drill driver + #2 Phillips head bit
Installation helper/partner

Ethereal Floating Shelf

1

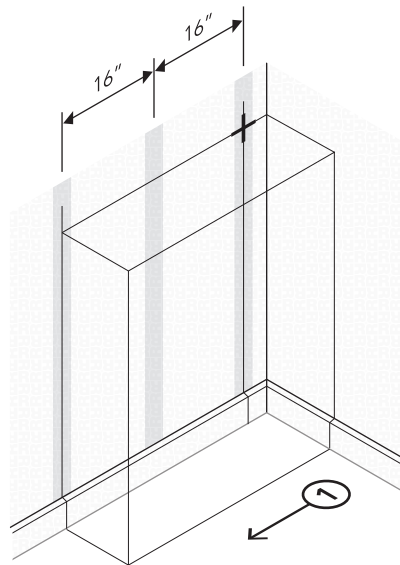
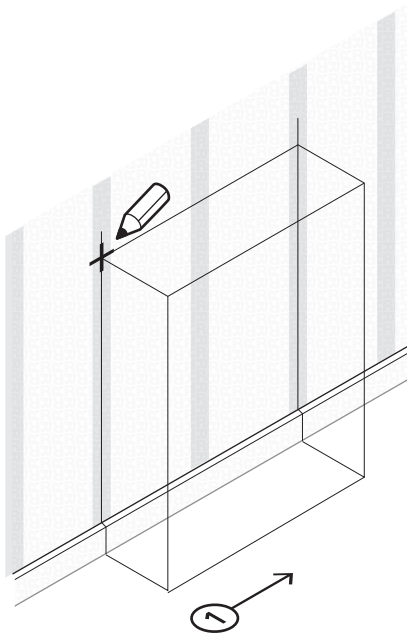
Mark out the location of your new Rakks floating shelves/shelf.

Choose either side of your system to begin installing. If your system includes a corner, start there.

Take into account any wall fittings or windows.

Use a stud finder to locate the center of the first stud. Measure up from the floor to the desired height of the shelf and mark the first hole location with a pencil.

At this time, use the stud finder to confirm that the remaining wall studs needed for the shelf installation are all **16" on center**. If you have custom hole locations, verify that they are correctly centered.

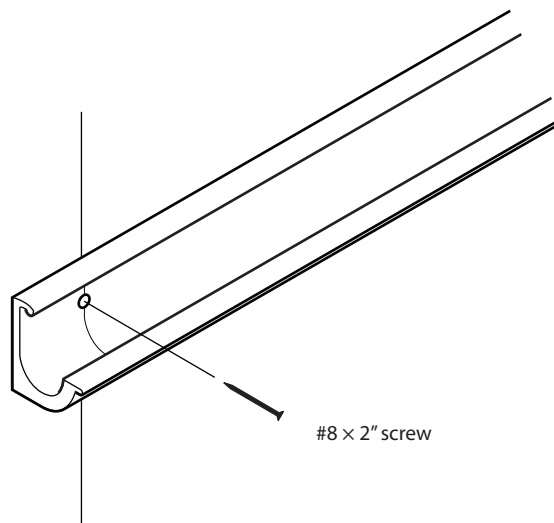


2

Install the first screw.

With your installation helper, hold the Ethereal bracket up horizontally against the wall and line up the first hole location.

Screw in one **#8 × 2" screw** into the first hole location (far left or far right) until it is snug.

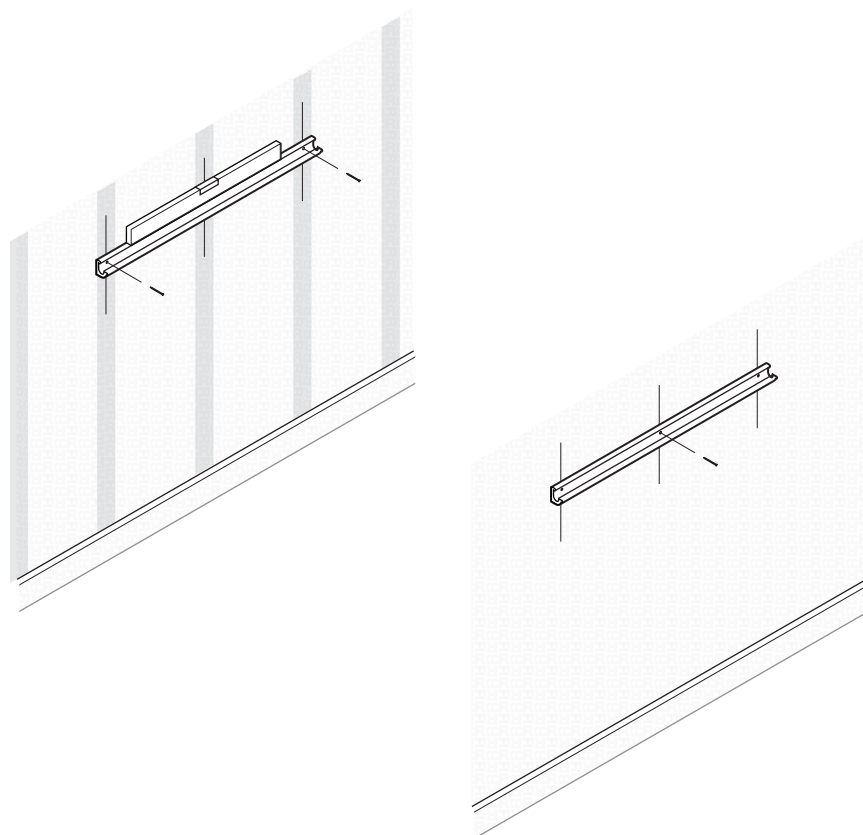


3

Locate and install the remaining screws.

Using a level, orient the Ethereal bracket on the wall and install a screw at the opposite end.

Now the Ethereal bracket is level and you can install the remaining wall mounting screws.



4

Install the Wood Shelf.

Tilt shelf slightly upward and insert it into the Ethereal bracket until the shelf is in contact with the back of the bracket.

Keep slight inward pressure on the shelf and move it downward to a horizontal position.

Install **#6 × 1¼" screws** into the bottom of the Ethereal bracket at each end until the screws are snug. Do not overtighten. This screw prevents the shelf from pulling outward.

