

# Rakks®

In supporting roles everywhere

## Rakks Stealth Bracket Information & Installation

Rakks Stealth Brackets provide exceptionally strong low profile support for 3/4" thick wood shelves up to 12" deep. Available in lengths up to 96" long, when properly installed they can support static loads up to 25 pounds per foot. Stealth brackets are supplied with predrilled and counter-sunk mounting holes located 16 inches on center to line up with studs. Brackets are drilled at each end for the purpose of retaining the shelf after installation. All mounting screws are provided.

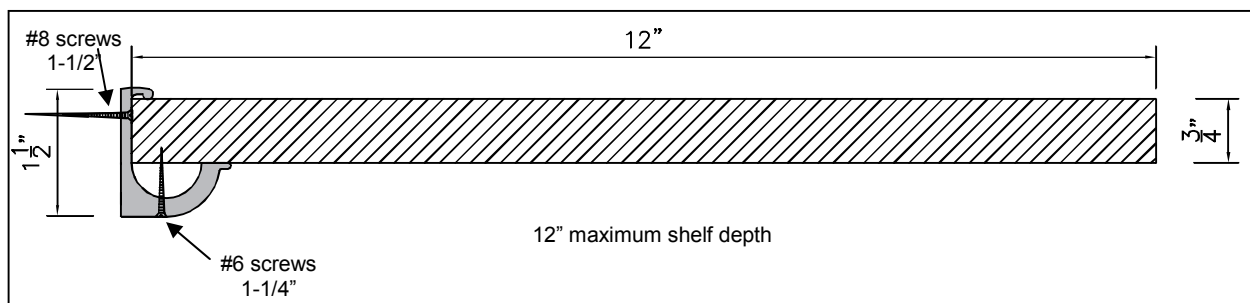


### Installation:

For best results, brackets should be screwed into studs or solid blocking. Otherwise, high performance wall togglers (sized for #8 flat head screws) can be used. Wood shelves must be exactly 3/4" thick to insure a 90 degree angle from the wall.

1. Level brackets and screw to the wall with #8 Phillips Flat Head screws provided.
2. Tilt shelf slightly upward and insert it all the way into the bracket before bringing it into a horizontal position.
3. Install #6 screws at the bottom of each bracket end to secure the shelf into the bracket.

Finishes: Clear anodized aluminum is stocked. Custom, anodized and powder coat finishes.



Engineered and manufactured in the United States by: Rangine Corporation,  
Needham, Massachusetts 02494, Tel: 781-455-8700, 800-826-6006  
Fax: 781-455-8702 [www.rakks.com](http://www.rakks.com)

June 2010