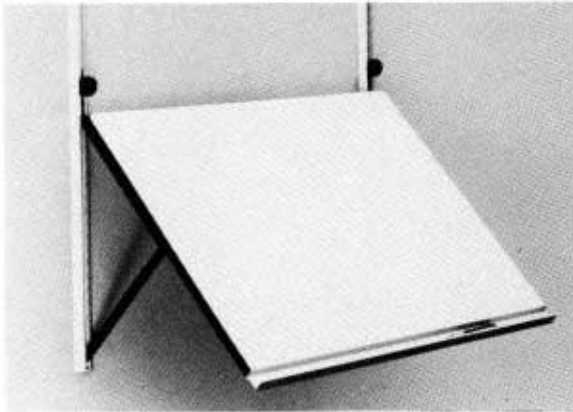


Rakks

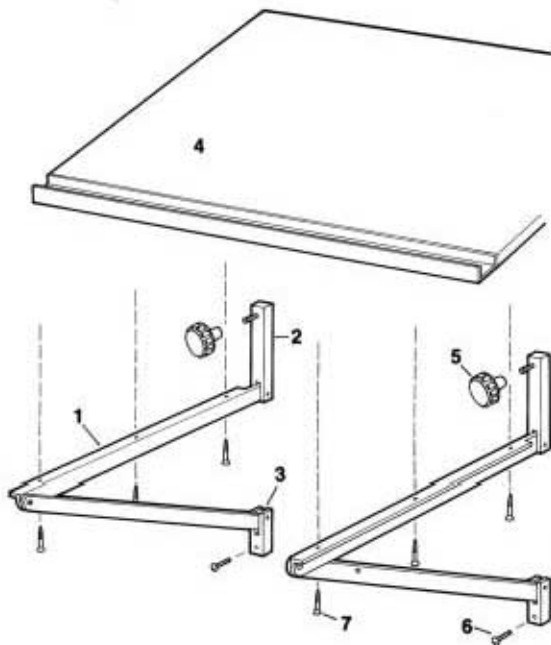
Cardan™ Drafting Board

Installation and Operation Procedure



List of Parts

Please find the following components in their package and familiarize yourself with the nomenclature.

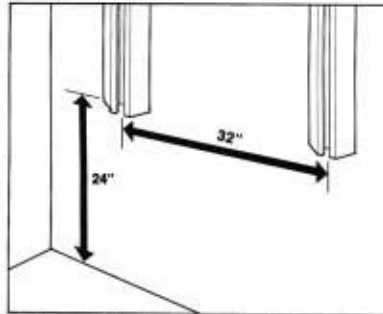


ITEM	QTY.
1. linkage	2
2. top yokes	2
3. bottom yokes.....	2
4. board.....	1
5. knobs	2
6. set screws.....	6
7. mounting screws	2

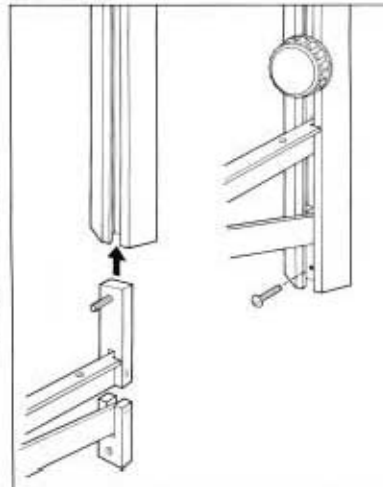
The Cardan drafting board can be assembled in wall-mounted standards or floor-to-ceiling poles.

Wall-Mounted Units

1. Mount the standards on the wall (with screws provided in their caps).
 - a. All boards are mounted on 32" distance, center to center.
 - b. Use the studs when possible.
 - c. If not, use Togglers.
 - d. Use a level or a plumb line to make sure that the standards are vertical and parallel to each other.
 - e. The bottom of the standard should be roughly 4" lower than the desired table height from the floor (if, for instance, 28" height is desired the bottom of the standard should be 24").



2. Insert the linkages in the standards through the bottom of the standard channel by sliding first the top yoke and then the bottom yoke. Linkages are marked left and right for proper installation. Slide the bottom yoke 1" into the standard. Insert and tighten the set screws. Screw the knobs into the top yokes loosely and observe that you can slide the knob up and down freely.
3. Bring the knobs all the way down so that the top links are horizontal. Check with the level across the links. If not horizontal, loosen one set screw and make adjustments until level.



4. Put the board on top of the top links and fasten it to the linkages with the mounting screws provided. There are counter-sunk locations on the board that must line up with the holes in the links. For ease of insertion, the counter sunk holes can be drilled with a 3/32" drill bit 1/2" deep.

You are now ready to use the board at any angle you desire.

Pole-mounted Units Important!

1. Assemble the linkages in the pole channels as in step 2 above first.
2. Assemble the poles, per pole assembly instructions, provided with poles. For proper spacing see Step 1 above.
3. Follow steps 3 and 4 above and you are ready to use the board.

Operation of the Cardan Board

1. **To incline:** Stand in front of the board, loosen the knobs, and grasp the board in the middle of top and bottom edges using both hands. Lift first, with a sudden motion then slowly up to the desired height. Tighten knobs.
2. **To decline:** Stand in front of the board and loosen the knobs and slowly lower the board to the desired angle. Tighten the knobs.

CAUTION:

Do not try to decline the board without standing in front of it and supporting it. It has a tendency to fall rapidly if not supported. Always tighten the knobs after each angle change. Maximum weight is 50 pounds of evenly distributed load.

3. To change the height of the board:

Lift the board to its vertical position. Tighten the knobs, then loosen the set screws in the bottom. Hold both knobs and loosen them. You can now raise or lower the board to your desired height. Tighten the knobs and the set screws.

4. If the board does not slide easily up and down, or it refuses to become completely vertical please check to make sure that standards or poles are vertical and parallel to each other. Also, check to make sure the board is mounted horizontally. To correct, follow step 3 above for height changes.

Parallel rule installation:

There are two holes drilled in the instrument channel. These holes can be used to install parallel rules.