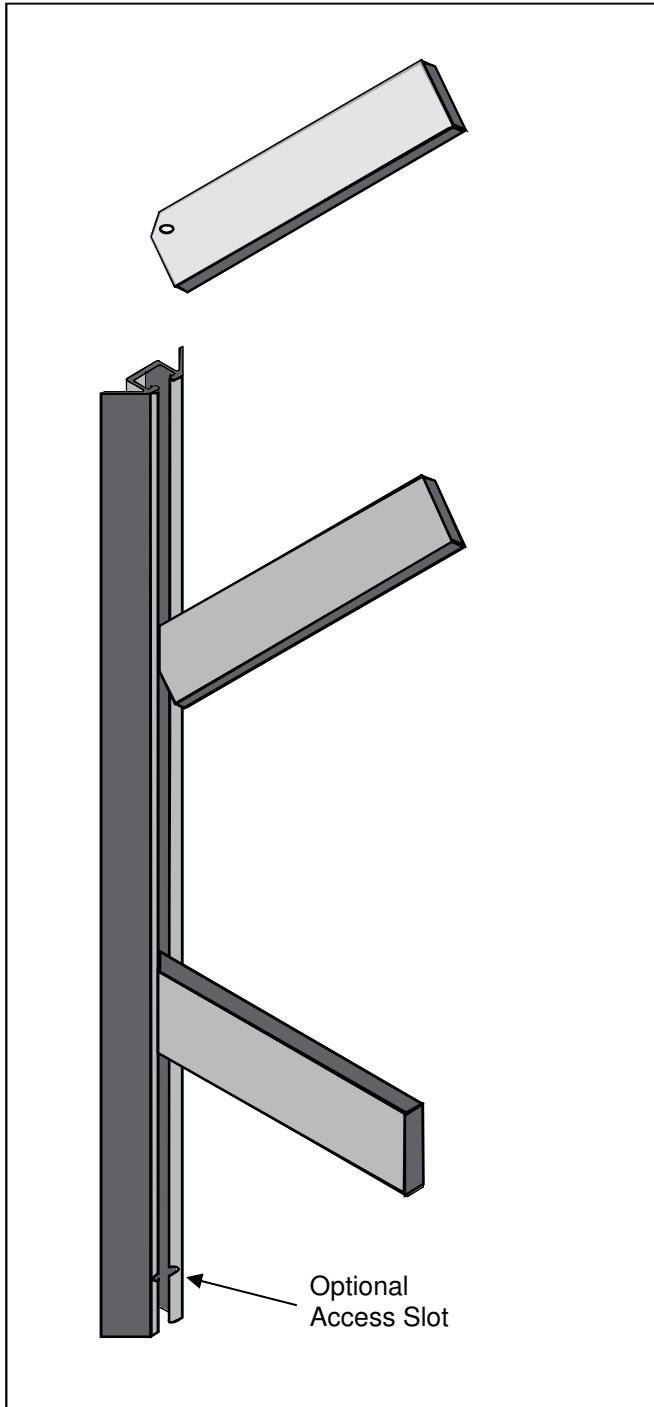


Universal Bracket Information & Installation



Rakks Shelf Brackets fit all Rakks wall mounted standards and poles. They are infinitely adjustable and can be installed into standards from the ends or into an access slot cut into the face of the channel.

Rakks Brackets are made in a variety of sizes to support shelves up to 24" deep. Shelf brackets are typically shorter than the shelves. Rakks brackets are available in the following sizes:

<u>Model</u>	<u>Useable Length</u>	<u>Bracket Depth</u>	<u>Shelf Depth</u>	<u>Load Capacity</u>
BR-004	3 1/4"	1 1/4"	4"	100#
BR-006	5 1/4"	1 1/4"	6"	100#
BR-008	7 1/4"	1 1/4"	8"	100#
BR-010	9 1/4"	1 1/4"	10"	75#
BR2-10	9 1/4"	2"	10"	100#
BR-012	11 1/4"	1 1/4"	12"	60#
BR2-12	11 1/4"	2"	12"	100#
BR-014	13 1/4"	1 1/4"	14"	55#

Shorter sizes are available by special order.

Installation

1. Insert the back tab of the bracket into standard or pole channel (fig A).
2. Carefully twist and rotate the bracket to a 45 degree position (fig B & C). A firm twist may be required. **Caution: do not "force" the bracket into position as this may bend and**