

# Rakks®

Rangine Corporation  
330 Reservoir Street  
Needham, Ma. 02494

Tel: 781-455-8700 Fax: 781-455-8702

DATE:  
5-28-08

BY:  
KT

RAKKS DWG. NO.:

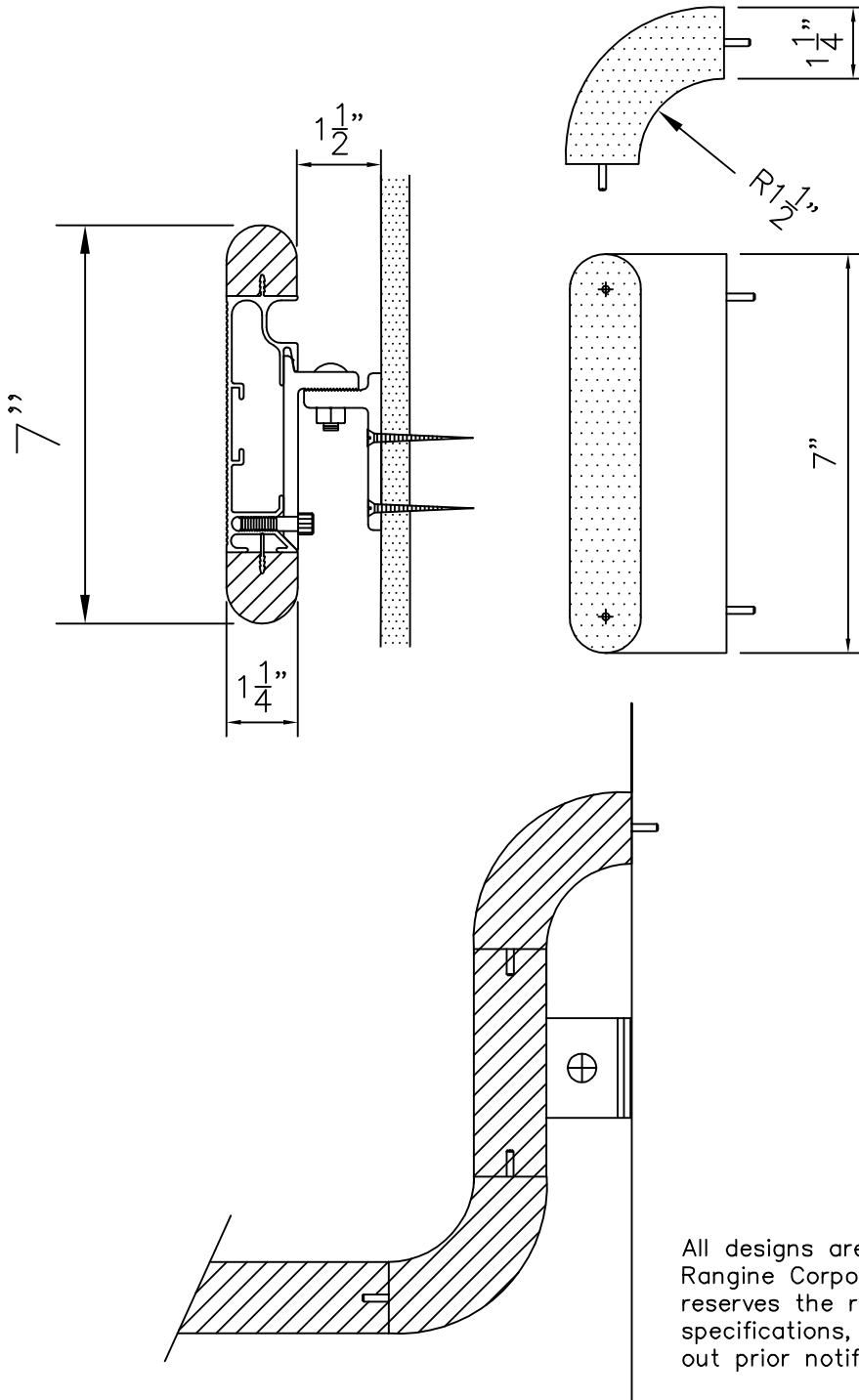
JOB NAME:

System 700  
Components

PAGE NO.:  
\_\_\_\_\_ OF \_\_\_\_\_

PART NO.:

VERSION:



All designs are, and remain the property of Rangine Corporation. Rangine Corporation reserves the right to make changes in specifications, design, and/or construction with out prior notification.