

# Rakks®

Rangine Corporation  
330 Reservoir Street  
Needham, Ma. 02494

Tel: 781-455-8700 Fax: 781-455-8702

DATE:  
10-30-09

BY:  
KT

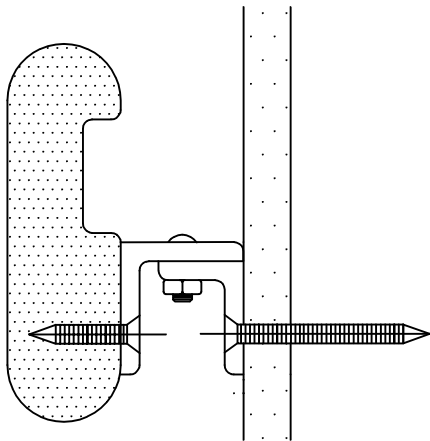
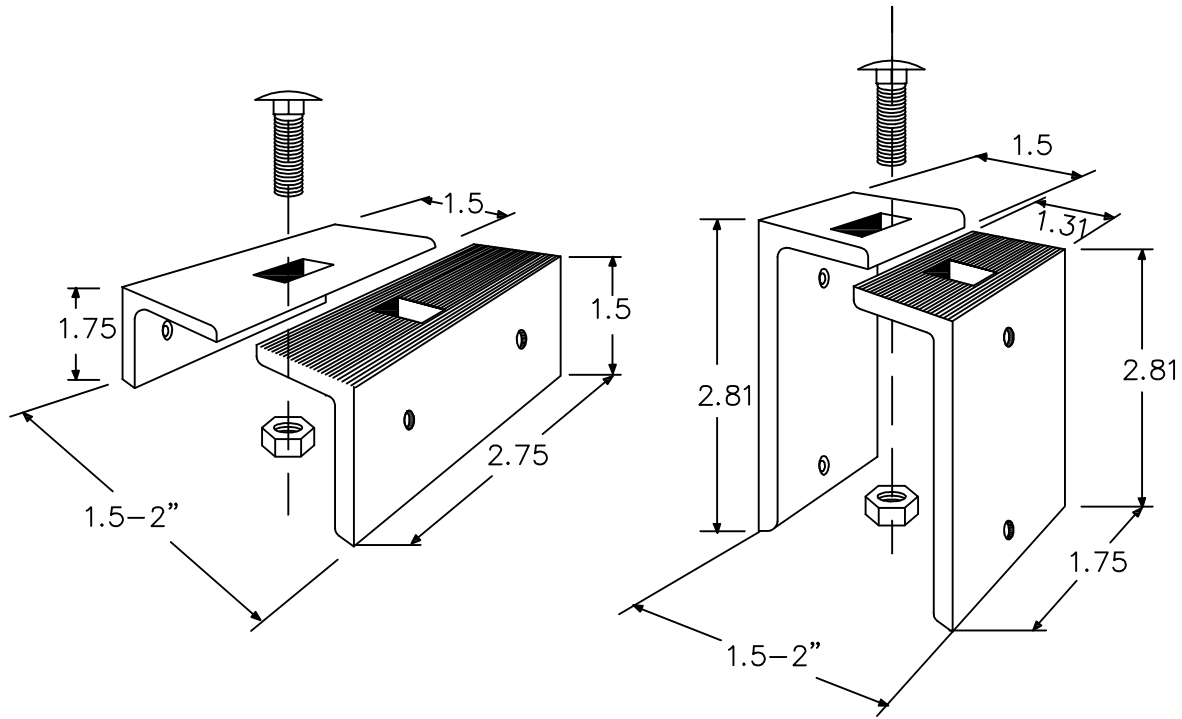
RAKKS DWG. NO.:

JOB NAME:  
Handrail 203 & 303  
Composites

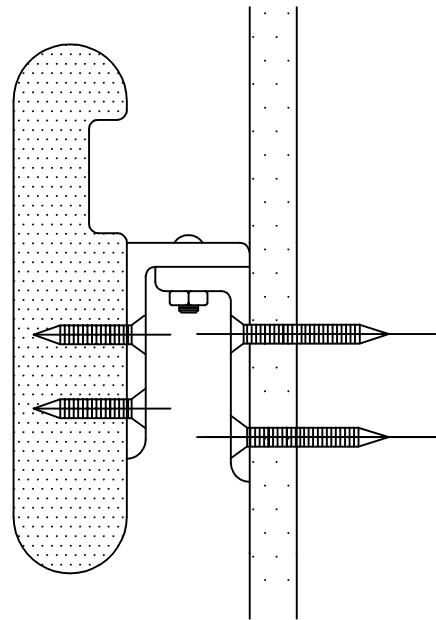
PAGE NO.:  
\_\_\_\_\_ OF \_\_\_\_\_

PART NO.:

VERSION:



303 HR Bracket



203 HR Bracket